

Data Sheet

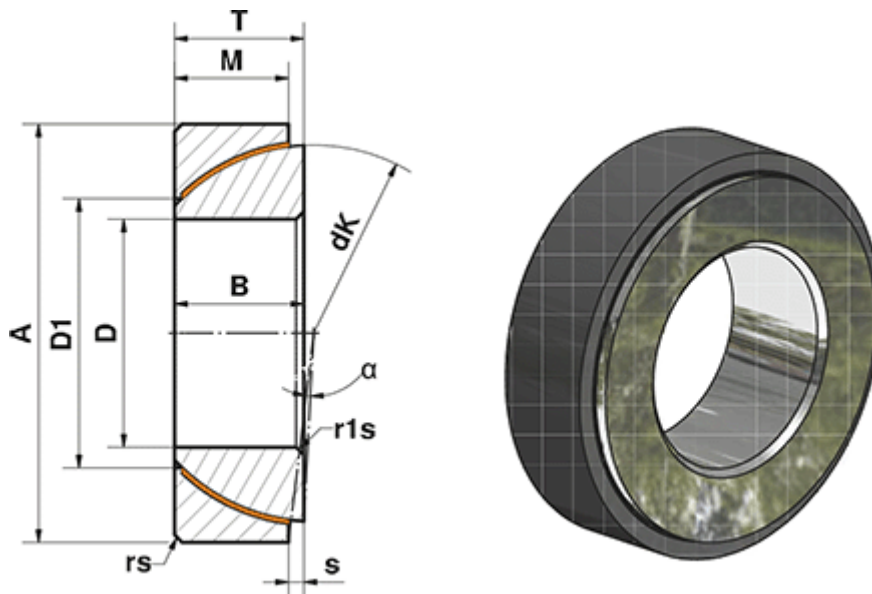


Article number: 03449130

Description: Fluro Heavy Duty Spherical Plain Bearing GE 130 SWE
Hole Ø130

Note: 130

Measures



A	= 200	rs, r1s min	= 2.5
a (degrees)	= 1	S	= 18
B	= 45	Static load C0 (kN)	= 3412
D	= 130	T	= 45
D1	= 144	Weight (g)	= 5920
dK	= 188		
Dynamic load C (kN)	= 2047		
M	= 43		